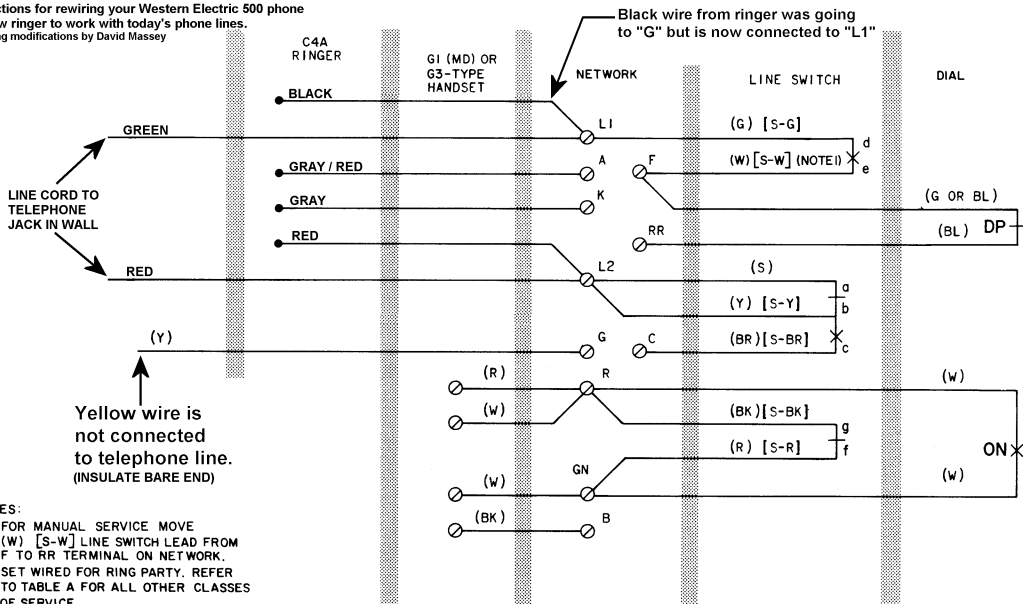


Instructions for rewiring your Western Electric 500 phone to allow ringer to work with today's phone lines.  
 - Drawing modifications by David Massey



NOTES:

1. FOR MANUAL SERVICE MOVE (W) [S-W] LINE SWITCH LEAD FROM F TO RR TERMINAL ON NETWORK.
2. SET WIRED FOR RING PARTY. REFER TO TABLE A FOR ALL OTHER CLASSES OF SERVICE.

( ) CURRENT COLOR CODE

[ ] MD COLOR CODE

DP-DIAL PULSE CONTACT

ON-DIAL OFF NORMAL CONTACT

Fig. 1—500C/D (MD) Telephone Set, Connections