

SERVICE
2500S AND 2500SM TELEPHONE SETS

1. GENERAL

1.01 Reissued to add 623D4 jack and D4BU mounting cord to 2500SM telephone set (Fig. 2).

TABLE A

POLARITY GUARD CONNECTIONS
[819040528 (P-90D052) GUARD ASSEMBLY]

LEAD	COLOR	REMOVE FROM NETWORK	CONNECT TO	
			NETWORK	POLARITY GUARD
Line Switch	W	C		S
Dial	G-W BK	C RR		S T
Polarity Guard	W G		C RR	

Note: For use when specified by local instructions for end-to-end signaling installation.

NOTICE

Not for use or disclosure outside the
Bell System except under written agreement

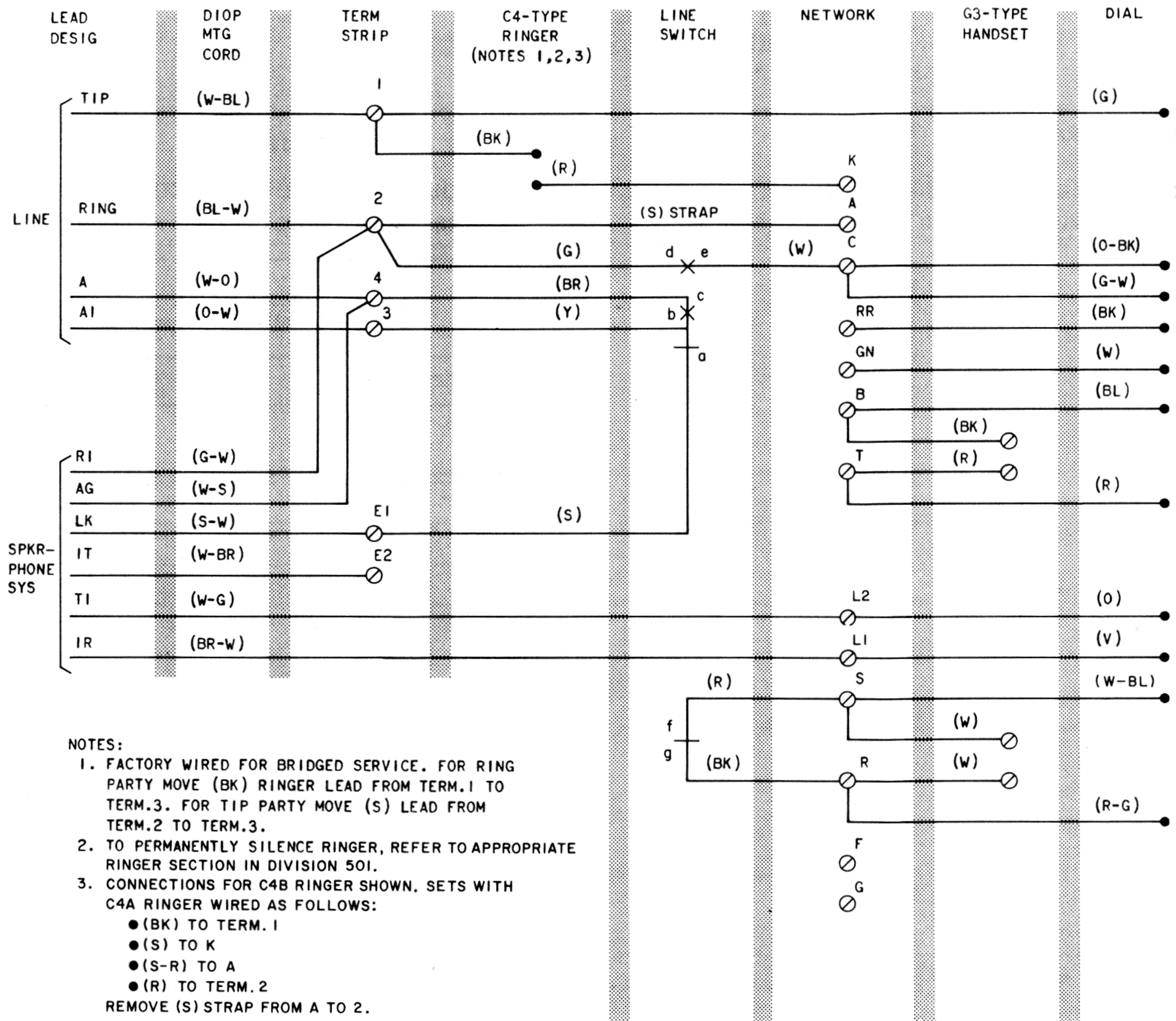
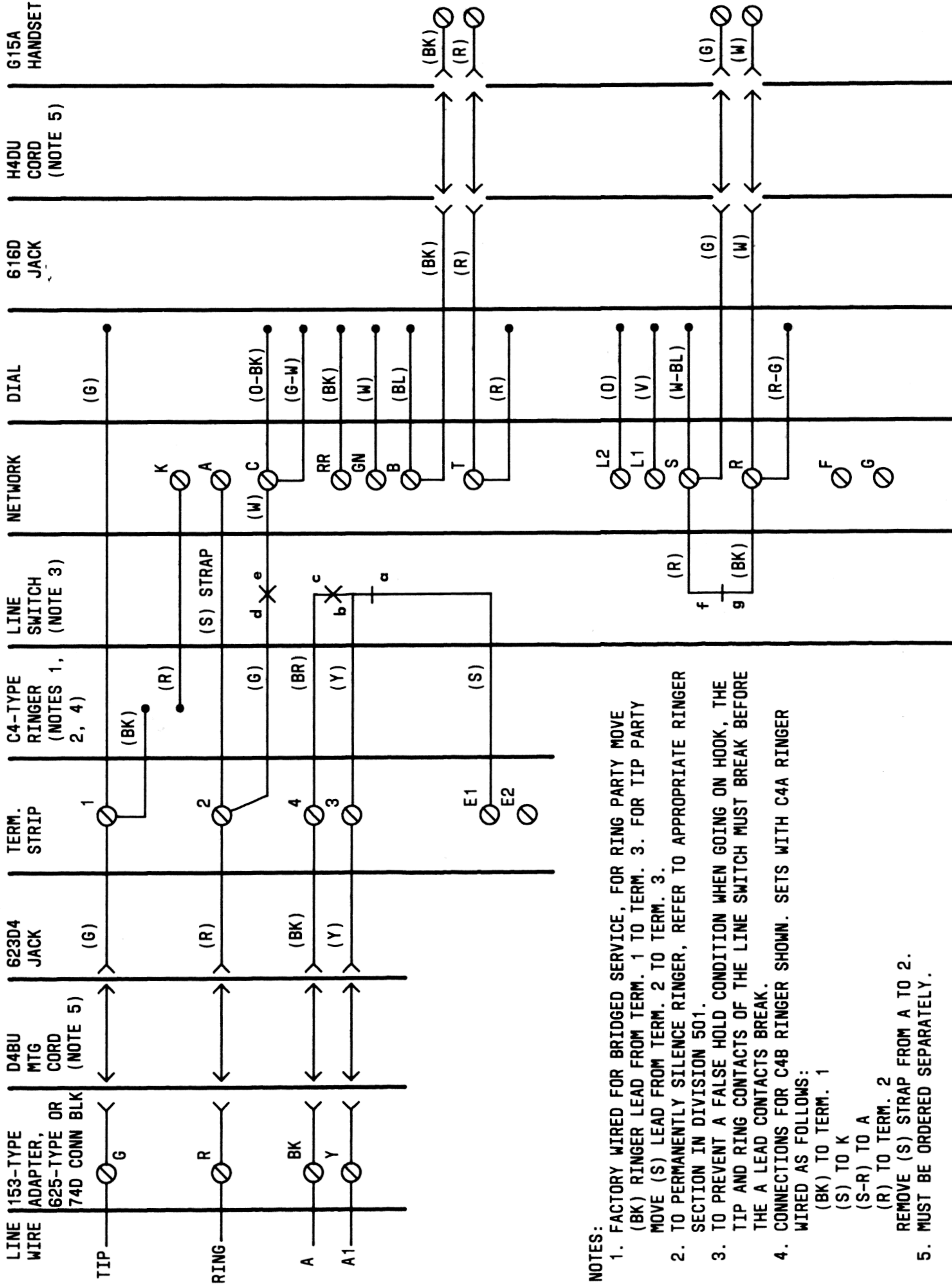


Fig. 1—2500S Telephone Set, Connections



NOTES:

1. FACTORY WIRED FOR BRIDGED SERVICE. FOR RING PARTY MOVE (BK) RINGER LEAD FROM TERM. 1 TO TERM. 3. FOR TIP PARTY MOVE (S) LEAD FROM TERM. 2 TO TERM. 3.
2. TO PERMANENTLY SILENCE RINGER, REFER TO APPROPRIATE RINGER SECTION IN DIVISION 501.
3. TO PREVENT A FALSE HOLD CONDITION WHEN GOING ON HOOK, THE TIP AND RING CONTACTS OF THE LINE SWITCH MUST BREAK BEFORE THE A LEAD CONTACTS BREAK.
4. CONNECTIONS FOR C4B RINGER SHOWN. SETS WITH C4A RINGER WIRED AS FOLLOWS:
 (BK) TO TERM. 1
 (S) TO K
 (S-R) TO A
 (R) TO TERM. 2
 REMOVE (S) STRAP FROM A TO 2.
5. MUST BE ORDERED SEPARATELY.

Fig. 2—2500SM Telephone Set, Connections