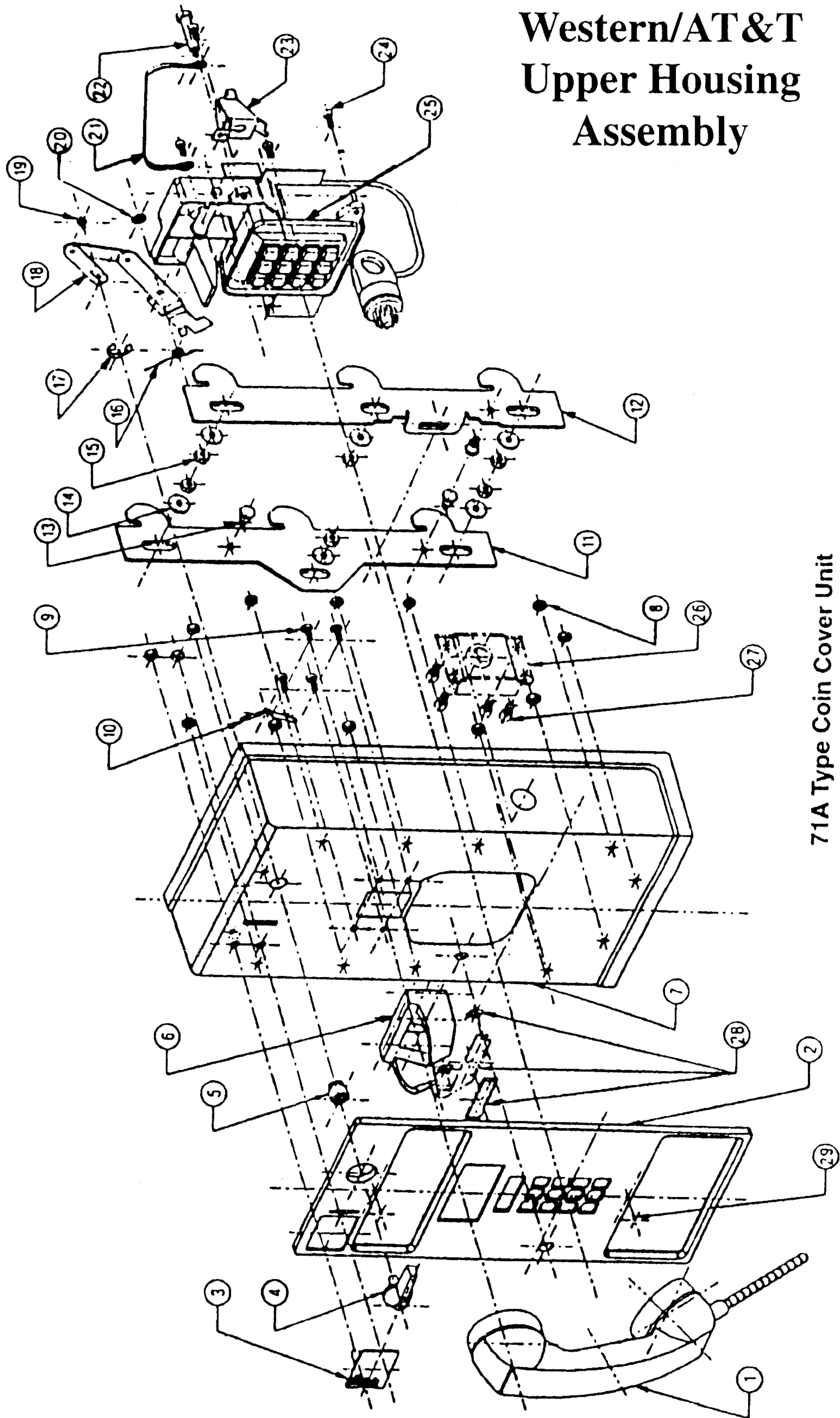


AT&T/Western Electric Style Upper Housing Parts

DIAG. #	WESTERN PART #	Description	1-24	25+	Refurb
1	105-688-261	G3AW-3 Handset w/ Lanyard 48"	16.95	15.75	11.00
1	105-547-012	G3AW-3 Handset w/ Lanyard 32"	19.95	18.50	9.00
2	840-156-301	Face Plate	15.00	14.50	7.95
3	840-156-327	Information Plate	1.95	1.75	
4	840-358-725	Coin Return Lever	2.10	1.85	
5	840-503-486	Bushing	0.55	0.45	
6	840-358-303	Cradle	3.30	2.95	
7	818-926-032	Upper Housing, Black, No Hardware			40.00
8	900-077-371	Nut, Face Plate	0.13	0.10	
9	841-067-283	Screw, Cradle	0.06	0.05	
10	811-553-338	Detent Spring	0.65	0.45	
11	811-553-288	Left Locking Rail	3.50	3.00	
12	811-553-304	Right Locking Rail	3.50	3.00	
13	811-553-379	Stud Screw	0.50	0.35	
14	842-612-996	Washer	0.05	0.03	
15	802-460-493	Nut, Locking Rail	0.06	0.05	
16	811-557-610	Spring, Coin Return Linkage	0.15	0.12	
17	997-102-132	Retaining Ring, Bushing	0.10	0.08	
18	834-080-772	Link and Lever Assembly	3.95	2.95	
19	996-514-188	Screw, Coin Return Lever	0.06	0.05	
20	997-689-179	Truarc	0.10	0.08	
21	845-455-252	Ground Strap	1.95	1.40	1.00
22	846-407-831	Screw, Thumb	0.75	0.60	
23	846-403-764	Handset Bracket	0.75	0.60	
24	840-157-390	Screw, Hookswitch	0.06	0.05	
25	103-325-817	61B Dial Hookswitch Assembly			20.00
25	104-187-158	61C Dial Hookswitch Assembly			27.00
25		Intellicall Dial Hookswitch Assembly Ast2	65.00		
26		Upper Lock, Medeco			9.95
26A		Upper Lock, AT&T			9.95
27	840-155-600	Lock Screw	0.15	0.12	
28	102-559-986	Number Card Kit of Parts	1.50	0.75	
28	812-169-472	Number Card Window Bracket	0.95	0.75	
28	812-169-480	Number Card Window	0.30	0.20	
28	900-557-339	Fastener, Number Card Bracket	0.15	0.10	
	845-774-967	Number Card	0.05	0.03	
	106-606-577	Amplification Kit		25.00	
		Upper Direction Card		0.20	
	845-680-909	Upper Direction Card Window	0.45	0.40	
		Lower Direction Card		0.20	
	845-680-917	Lower Direction Card Window	0.45	0.40	

Western/AT&T Upper Housing Assembly



71A Type Coin Cover Unit

Western Electric Style Lower Housing Parts

DIAG. #	WESTERN PART #	Description	1-24	25+	Refurb
27	840-155-600	Lock Screw	0.15	0.12	
30	818-512-030	Lower Housing, Black, No Hardware			60.00
31	812-260-081	Grommet, In-Line	0.35	0.25	
32	834-081-440	Locking Lever Assembly	1.00	0.75	
32A	812-755-429	Chute Locking Lever	0.75	0.50	
32B	812-754-976	Spring, Chute Locking Lever	0.20	0.15	
33	996-056-404	Cotter Pin	0.06	0.05	
34	101-755-668	1AA Coin Relay Hopper Assembly	46.70	40.45	26.00
34A	101-755-650	1A Coin Relay	36.95	32.95	20.00
34B	811-557-172	Hopper	9.75	7.50	6.00
35	811-057-835	Relay Cover	0.75	0.50	
36	106-747-868	22B Coin Chute	140.00	125.00	75.00
36A	105-524-011	22A Coin Chute			15.00
36B	102-279-395	20A Coin Chute			12.00
37	103-287-538	47A Signal Unit			10.00
38	811-557-305	Coin Return Chute	2.50	2.00	1.00
39	103-560-074	32B Chassis			20.00
39A	105-434-518	32C Chassis			25.00
40	812-065-530	Anti-Drill Plate	2.75	2.50	
41	812-165-462	Anti-Stuffing Device	9.35	8.75	
42	100-400-613	Coin Box Rail	2.95	2.75	
44	834-082-117	Screw, Hex Socket, Hopper	0.06	0.05	
46	101-002-145	Vault Door-Black	15.00	13.50	8.00
46A	101-469-039	Vault Door-Chrome	15.25	13.75	8.00
		Vault Door Stainless	16.00	14.50	
46B		Vault Door with Stainless Steel Wrap	39.00	35.00	
47	102-230-836	Lower Lock with Keys			9.95
	996-102-463	Screw, Reject Chute	0.06	0.05	
	811-558-956	Screw, ASD	0.12	0.10	

Western/AT&T Lower Housing Assembly

