

# STATIONS

## Open Type Telephone Booths

<b>Contents</b>	<b>Page</b>
GENERAL .....	3
STANDARD SUPPLIES .....	3
LOCATING BOOTHS .....	5
ASSEMBLING BOOTHS .....	7

(Copyright, 1925, by American Telephone and Telegraph Company)

Printed in U. S. A.

## DETAILED TABLE OF CONTENTS

	SEC.	PAGE
<b>GENERAL</b>		
Scope .....	1	3
<b>STANDARD SUPPLIES</b>		
Standard Names of Supplies.....	2	3
<b>LOCATING BOOTHS</b>		
Rules for Locating Booths.....	3	5
<b>ASSEMBLING BOOTHS</b>		
General .....	4	5
Assembling Booths .....	5	5
Adding Booths to Existing Installation.....	6	7
Fastening Booths .....	7	8
Attaching Directory Shelves.....	8	8
Mounting Coin Collector and Subscriber Set.	9	8
Attaching Advertising Frame.....	10	8

# STATIONS

## Open Type Telephone Booths

### GENERAL

1. **Scope.** These specifications cover the installation of open type telephone booths.

### STANDARD SUPPLIES

2. **Standard names of supplies** included in these specifications are given below.

**Anchor:** NO. 14 MACHINE SCREW ANCHOR.

**Booth** BACK FOR OPEN BOOTH.

**Parts:** SIDE FOR OPEN BOOTH.  
SHELF FOR OPEN BOOTH.

Single units require one back, two sides and one shelf each.

Multiple installations require as many backs, sides and shelves as there are booths in the installation, plus one additional side.

**Directory Shelf:** METAL DIRECTORY SHELF.

**Frame:** BOOTH ADVERTISING FRAME.

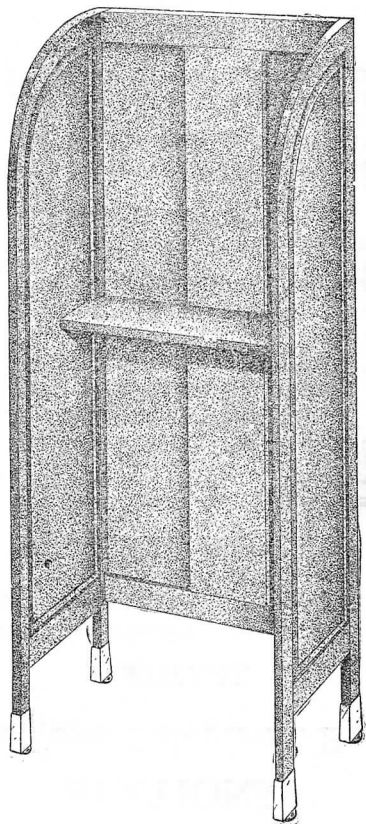
**Screws:** 1 1/2 IN. NO. 14 R. H. GALVANIZED WOOD SCREW.

**Washer:** 1 1/2 IN. 14-20 F. H. MACHINE SCREW.  
7/16 IN. X 1 IN. ROUND WASHER.

STANDARD SUPPLIES

---

**OPEN TYPE TELEPHONE BOOTH  
SINGLE UNIT**



## LOCATING BOOTHS

**3. Locate booths** as specified by order. In case location specified should conflict with the following rules, the installer shall notify his foreman and shall not continue with the installation until instructed to do so.

- (a) Booths must be easily accessible to the public.
- (b) Booths shall not be located where the patrons may be injured if caution is not observed in approaching or departing from the booth.
- (c) Booths shall not be located where floor is in bad condition, as patrons may be exposed to injury.
- (d) Do not place booths over registers, in front of fuse boxes, or at other locations where booths or apparatus will be liable to injury.
- (e) Booths shall not be located where they will be exposed to the action of the elements.

## ASSEMBLING BOOTHS

**4. General.** The booths are shipped "knocked down" and may be assembled either on the job or in the storeroom and then sent to the job ready to install.

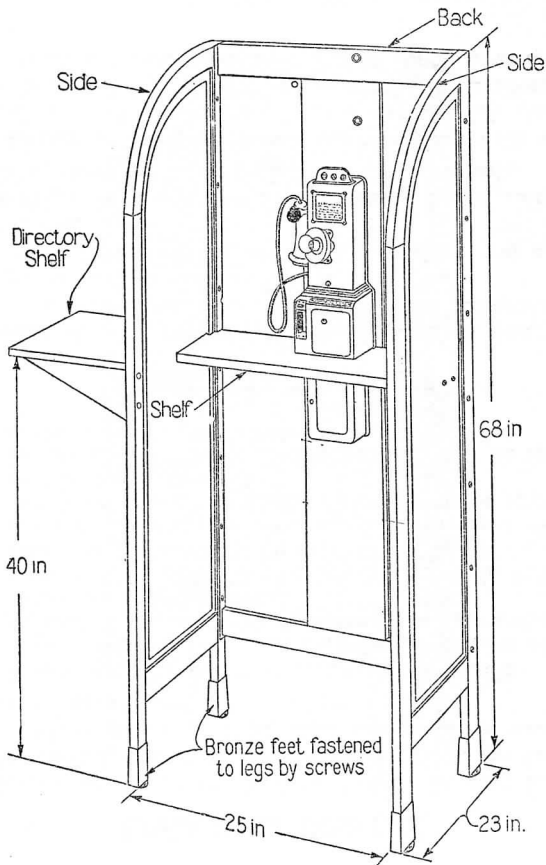
For a single installation one back, two sides, and a shelf are required.

A multiple installation requires as many backs, sides and shelves as there are booths, plus one additional side.

**5. Assembling booths.** Attach back to sides with screws supplied with the sides for this purpose. Fasten shelf to booth, using bolts provided with the shelf. If an advertising frame is used, fasten same with screws supplied with back.

ASSEMBLING BOOTHS

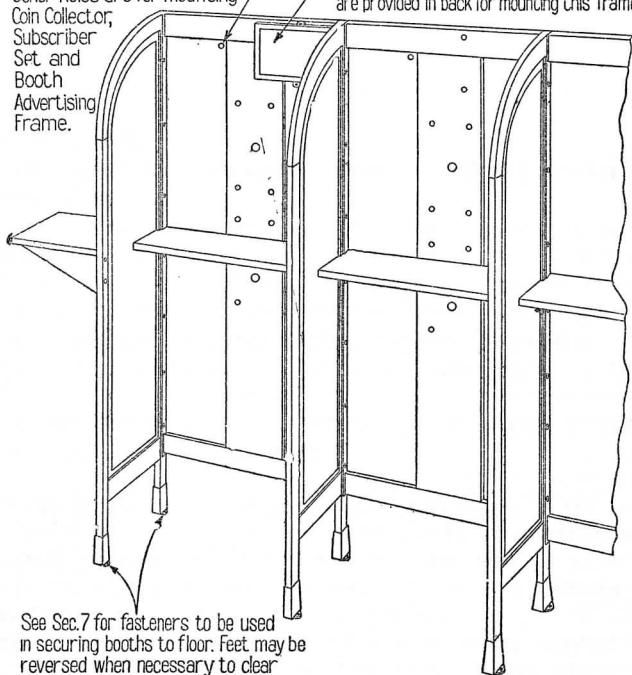
SINGLE UNIT INSTALLATION



## MULTIPLE UNIT INSTALLATION

Hole to be used in fastening booth to adjacent wall. See Sec. 7. Other holes are for mounting Coin Collector, Subscriber Set and Booth Advertising Frame.

Booth Advertising Frame. Fasten with three  $\frac{5}{16}$  in. # 6-32 F.H. Iron machine screws. Holes are provided in back for mounting this frame



See Sec. 7 for fasteners to be used in securing booths to floor. Feet may be reversed when necessary to clear obstacles.

In assembling booths see that all screws are set firmly.

**6. When adding an additional booth** to an existing installation, remove outside screws from existing side and use for attaching additional back. If there is a directory shelf installed on the existing side do not detach but remove entire side and replace with a new one. Install old side with shelf on end of installation.

## ASSEMBLING BOOTHS

---

**7. Fastening booths.** Attach the booth to the floor, using one of the devices listed below in each foot:

Wood Floor: 1 1/2 IN. NO. 14 R. H. GALVANIZED WOOD SCREW.

Masonry Floor: 1 1/2 IN. NO. 14-20 F. H. MACHINE SCREW WITH NO. 14 MACHINE SCREW ANCHOR.

Booths shall be set plumb and rigid. Where necessary, block up corners, using 7/16 in. x 1 in. round washers on attaching screws between floor and foot.

If the floor is in such condition that the booth cannot be rigidly fastened as above, the booth shall also be attached to the adjacent wall with a 1 1/2 in. No. 14 R. H. Galvanized Wood Screw through a hole which is provided in the back of the booth for this purpose. When necessary "build out" on wall to receive the screw.

**8. To attach directory shelf** to side of booth, drill and tap holes for No. 14-20 Machine Screws. The four screws for attaching are supplied with the shelf. Top of shelf should be about 40 inches above the floor.

**9. Screws for mounting coin collector** and subscriber sets are provided with the back. The necessary holes for mounting these sets are also provided in the back. Do not use backboard for mounting coin collector and subscriber set in open booth.

**10. When an advertising frame** is required, mount as shown on page 7.