

New York Telephone Co.

G. W. MCRÆ, *Chief Engineer.*

J. J. ROBINSON, *Genl. Plant Manager.*

~~BELL SYSTEM PRACTICES~~

B599.081
~~Engineering Bulletin 444~~

May, 1925

~~B599.081~~

PRIVATE BRANCH EXCHANGES—

#63 Induction Coil Telephone Set

1. A new telephone set circuit known as the #63 induction coil telephone set has been developed by the American Telephone and Telegraph Company in conjunction with the Western Electric Company and has been adopted as standard for use at P. B. X. switchboards in place of the #23 and #24 induction coil telephone sets.

2. The #63 induction coil set provides a side tone reduction feature and reduces the side tone received by the P. B. X. attendant as compared with either the #23 or #24 induction coil sets. This is particularly true in comparison with the #23 induction coil set which has no side tone reduction feature. The new set which uses the #528 receiver is in general more efficient than either the #23 or #24 induction coil set using the #128 receiver.

3. The capacity in the transmitter circuit of the #63 induction coil set has been changed to 3 m.f. in place of the 2 m.f. condenser used with the #23 and #24 induction coil sets. The capacity in the secondary circuit has been changed from 2 m.f. to 1 m.f., and the #12-A retardation coil has been superseded by the #12-AB retardation coil.

4. All new cord P. B. X. switchboards will be furnished with the new #63 induction coil telephone set and #528 receivers shall be provided.

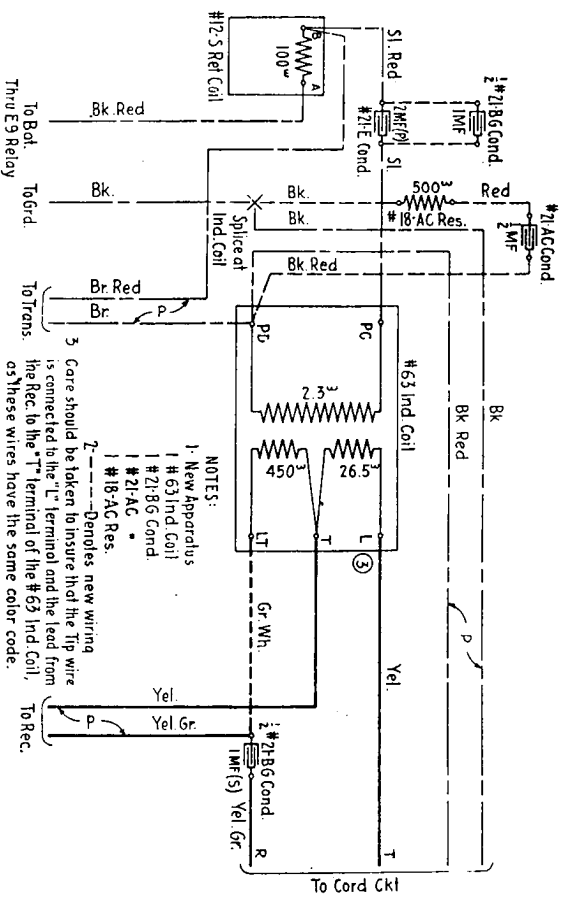
5. Where positions equipped with the new set are added to existing switchboards equipped with the #23 induction coil, the coils in the old positions shall be replaced by #63 induction coils. It will not be necessary to replace #24 induction coils in existing positions when positions equipped with #63 coils are added. In such cases if #128 receivers are in use, they shall be replaced by #528 receivers in connection with routine maintenance replacements. Whenever the #63 induction coil is installed on existing boards employing the #12-A retardation coil, it will not be necessary to replace the existing retardation coil, as the #12-A and #12-AB retardation coils are identical electrically.

6. When complaints are received due to trouble from room noise, side tone or poor transmission on existing P. B. X. switchboards equipped with the #23 induction coil set, the #63 induction coil set may be provided upon the approval of the installer's or repairman's supervisor except in the case of the #1 magnetic signal board, where this shall not be done without the approval of the Traffic Department.

7. Where #23 induction coils are replaced by #63 induction coils in existing P. B. X. switchboards, the telephone set shall be wired in accordance with the following figures, which show the circuit and equipment changes necessary for the more common types of boards in service. Particular care should be taken to insure that the tip wire is connected to the "L" terminal and the lead from the receiver to the "T" terminal of the #63 induction coil, as these wires in some cases have the same color code.

8. Where it is desired to substitute #63 induction coils for #23 induction coils in #1, #10 or #601 multiple P. B. X. boards covered by Engineering Department Specifications or in other special boards not included herein, the matter shall be referred to the Chief Engineer.

FIGURE 2



3 Care should be taken to insure that the Tip wire is connected to the "L" terminal and the lead from the Rec. to the "T" terminal of the #63 Ind. Coil, as these wires have the same color code.

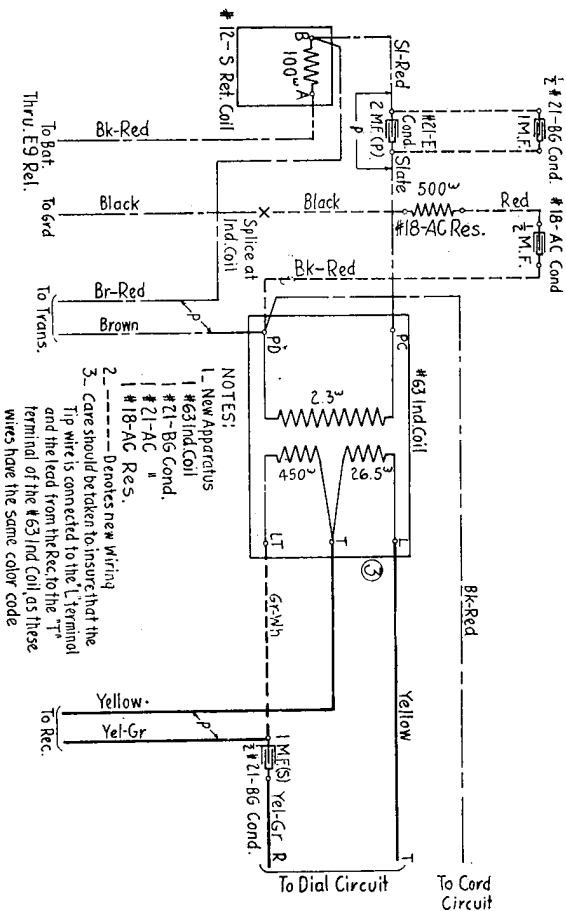
- NOTES:
- 1- New Apparatus
 - 1 #63 Ind. Coil
 - 1 #21-BG Cond.
 - 1 #21-AC
 - 1 #18-AC Res.

2- --- Denotes new wiring

※ 550-B P. B. X. SWITCHBOARD

Method of Rewiring Attendant's Telephone Set Circuit Using ※ 63 Induction Coil

FIGURE 3



※ 550-C P. B. X. SWITCHBOARD WIRED PER CIRCUIT PASTER P-162190
 Method of Rewiring Attendant's Telephone Set Circuit Using ※ 63 Induction Coil

PRIVATE
 BRANCH
 EXCHANGES

444 13599.081

*** 550-C P. B. X. SWITCHBOARD WIRED PER CIRCUIT PASTER P-69227
Method of Rewiring Attendant's Telephone Set Circuit Using * 63 Induction Coil**

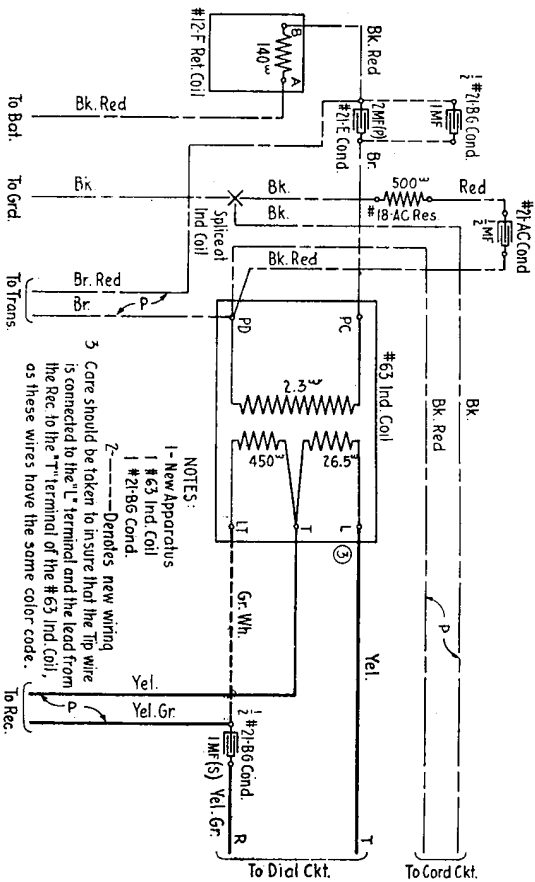


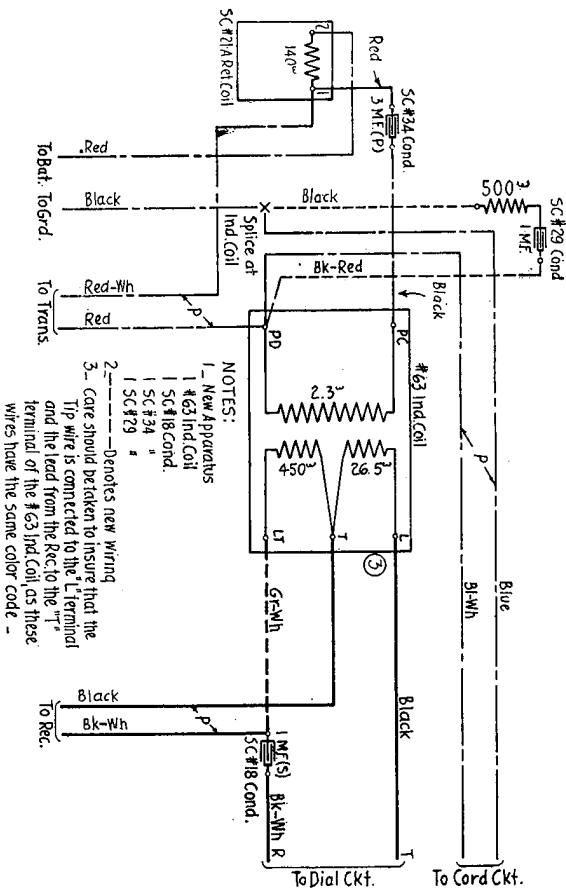
FIGURE 4

3 Care should be taken to insure that the Tip wire is connected to the "L" terminal and the lead from the Rec. to the "T" terminal of the #63 Ind. Coil, as these wires have the same color code.

- NOTES:
- 1-New Apparatus
 - 1 #63 Ind. Coil
 - 1 #21-B6 Cond.

Z-----Denotes new wiring

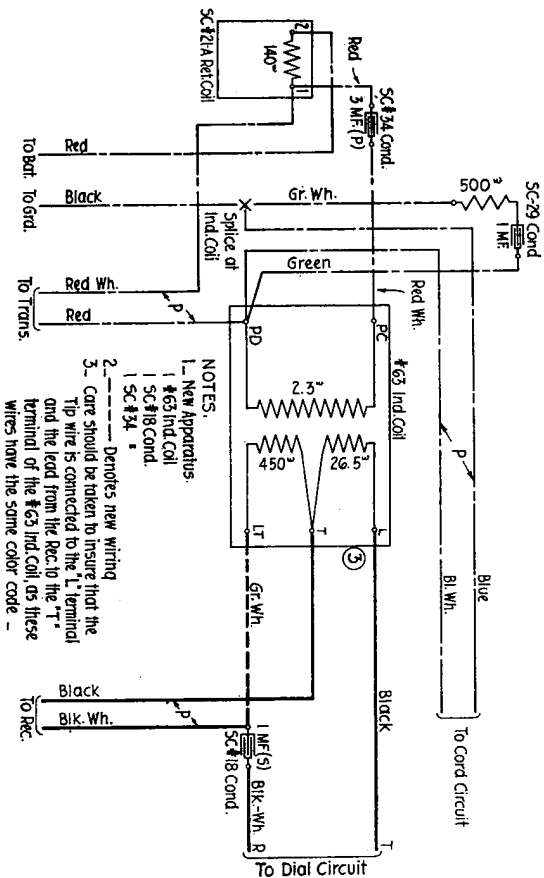
FIGURE 5



* 550-SC P. B. X. SWITCHBOARD WIRED PER CIRCUIT PASTER FORM * 948
Method of Rewiring Attendant's Telephone Set Circuit Using * 63 Induction Coil

PRIVATE
BRANCH
EXCHANGES

FIGURE 6



※ 550-SC P. B. X. SWITCHBOARD WIRED PER CIRCUIT PASTER FORMS ※ 967 and ※ 1078
 Method of Rewiring Attendant's Telephone Set Circuit Using ※ 63 Induction Coil

